


HiHope RZ/G2 (*) Board Sub Board

P01: TITLE
P02: PCIE-CHO
P03: SATA
P04: EXCONN_CANBUS
P05: LVDS0
P06: Ethernet (GbPHY, PHY_CN)

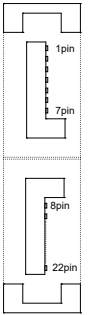
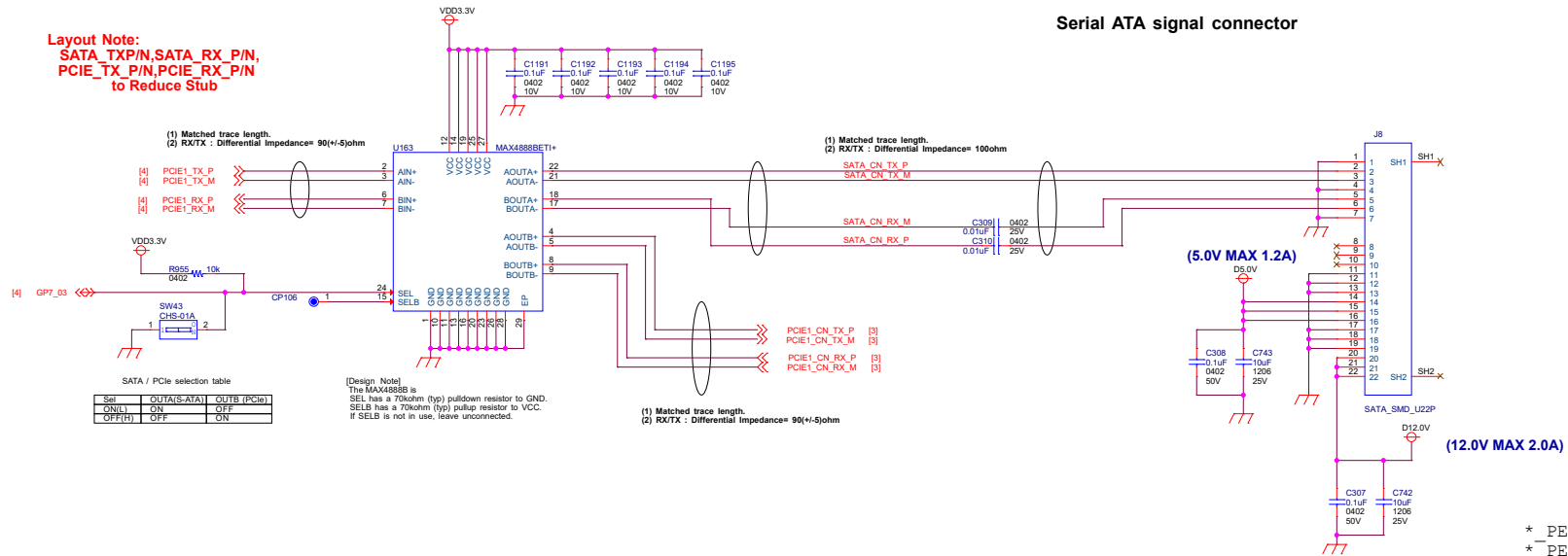
Mounted Note: "NC" means no components

Rev.3.0

TITLE

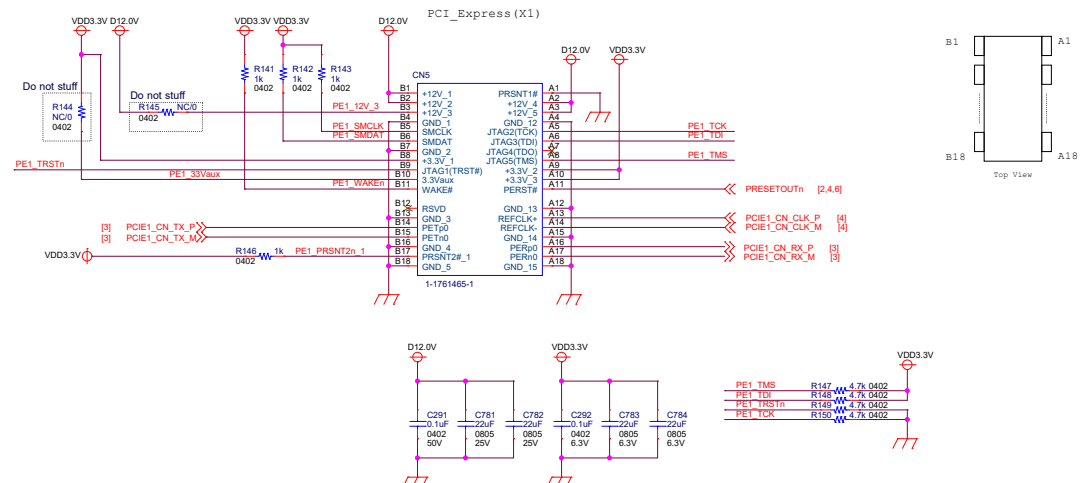
 Jiangsu HopeRun Software Co., Ltd	
Title HiHope RZ/G2(*) BOARD SB Board	
Size A2	Document Number Rev 3.0
Date: Friday, November 01, 2019 Sheet 1 of 6	

Layout Note:
SATA_TXP/N,SATA_RX_P/N,
PCIEX_TX_P/N,PCIEX_RX_P/N
to Reduce Stub

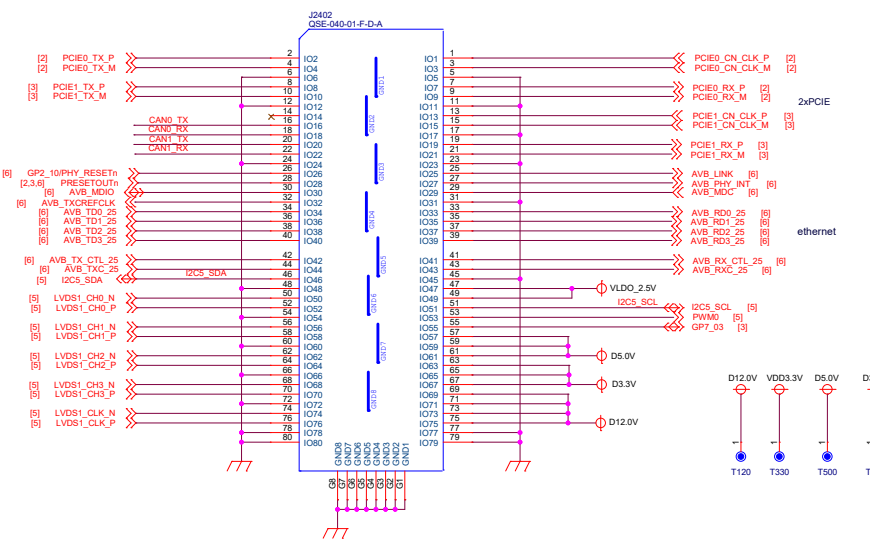
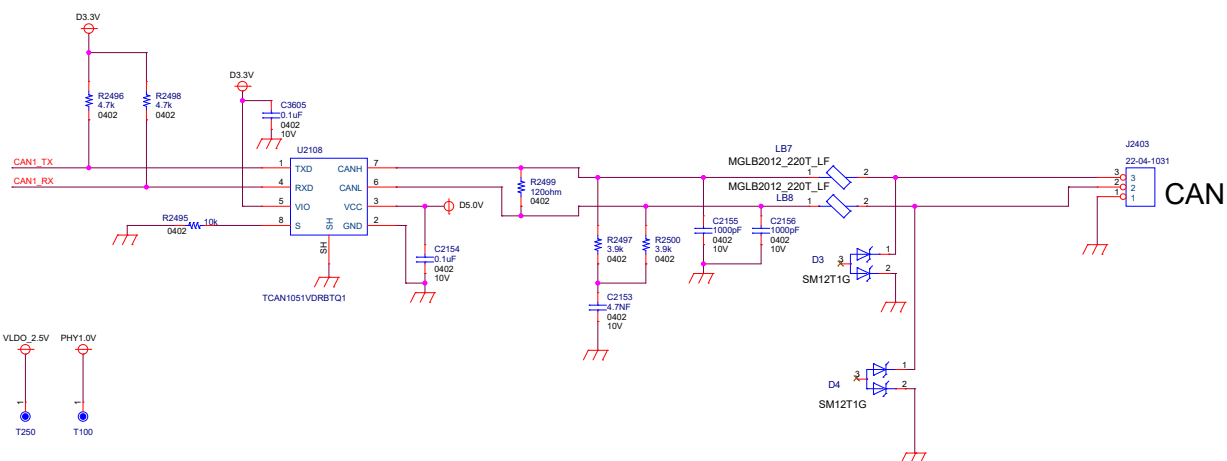
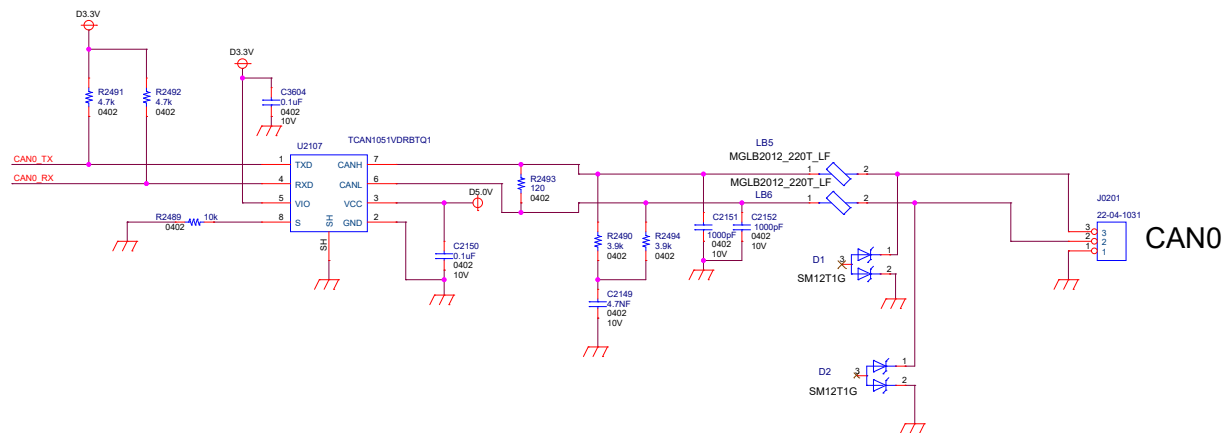


* PECLKP/N impedance=100 ohm
* PEROP/N impedance=85 ohm
* PETOP/N impedance=85 ohm

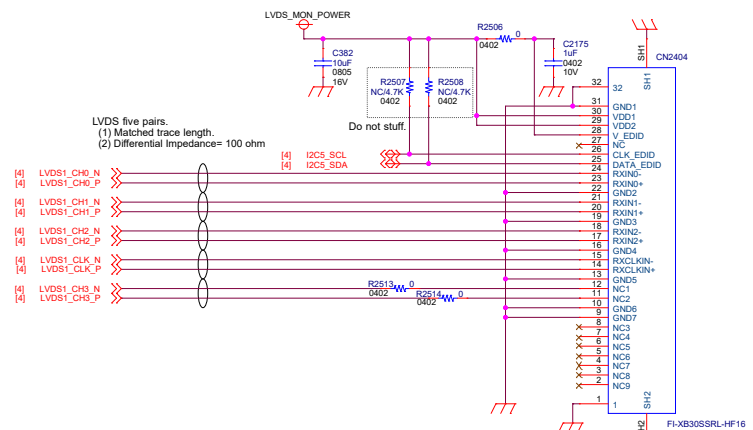
PCIEX (PCIe-ch1)



Serial ATA

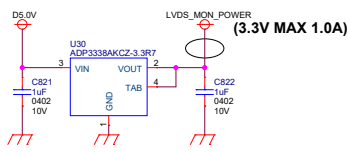


LVDS output(LVDS1)

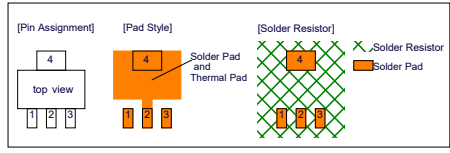


LVDS five pairs.
 (1) Matched trace length.
 (2) Differential Impedance= 100 ohm

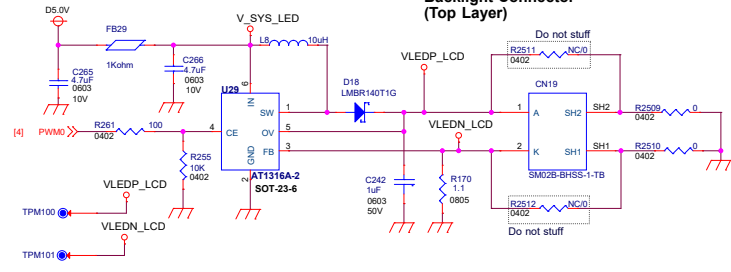
3.3V for LVDS Monitor Power



Layout Note:
 Pad Configuration for ADP3338



Backlight Connector
 (Top Layer)

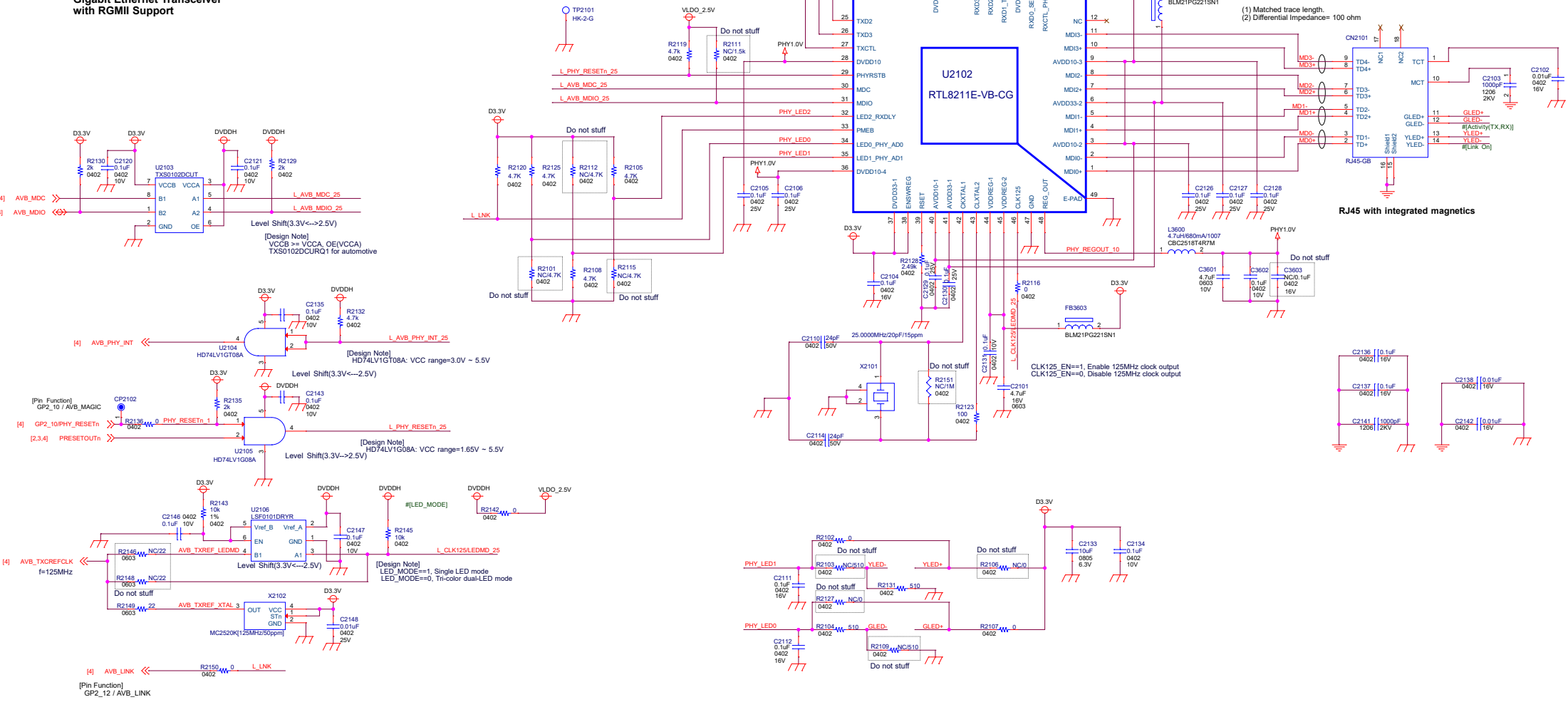


LVDS1

Ethernet Gb PHY ,PHY Connector

Layout Note:
 Matched Trace Length from RZ/G2M to RT8211E-VB-CG.
 (max 250Mbps/pin) and Single ended impedance 50ohm.

Gigabit Ethernet Transceiver with RGMII Support



Ethernet (GbPHY , PHY_CN)